



Ctra. Viver- Pto. Burriana, Km. 58'4
(tramo Vila-real - Onda) - P. O. Box 27
12200 ONDA (Castellón) España
Tels.: 964 62 63 00 - 964 62 69 40
Fax: 964 62 60 09

<http://www.banos10.com>
e-mail: banos10@banos10.com

SERVICIO DE
ASISTENCIA TÉCNICA

902 360 708
sat@banos10.com

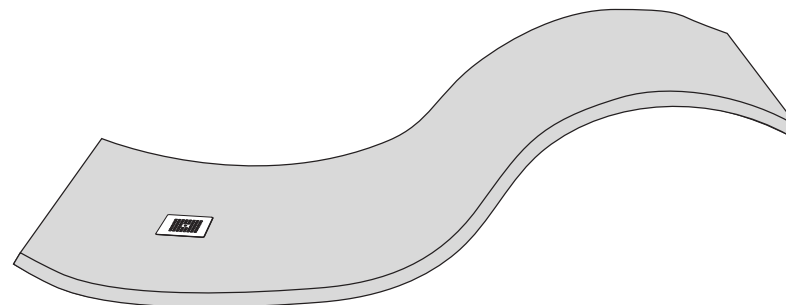
P-MP-MAN-161 1111-5L



BAÑOS 10 S.L.
CTRA. VILLAREAL-ONDA Km 12,6
12200 ONDA
11
UNE-EN 14527:2006
Platos de ducha de uso doméstico

GB Soft Shower Tray
Installation and
User Guide

SOFT
by **Baños10**

Guaranteen Number :

- 1- GENERAL CONDITIONS
- 2- PRODUCT FEATURES
- 3- GUARANTEE
- 4- DIMENSIONS
- 5- SUPPLIED ELEMENTS
- 6- REQUIRED ELEMENTS FOR INSTALLATION
- 7- SHOWER-TRAY PRE-INSTALLATION
- 8- THINGS TO CONSIDER BEFORE INSTALLATION
- 9- OPTIONS OF INSTALLATION
- 10- SHOWER-TRAY INSTALLATION
- 11- CLEANING, MAINTENANCE AND DURABILITY
- 12- WARNING

Soft shower trays are made with a flexible and resistant material. The shower trays are non-sliding and have a treatment that prevents the proliferation of bacteria.

All our products have been manufactured with a strictly quality control. Baños 10 guarantees their products and components against any lack of conformity when the use of them and installation have been made correctly. The company won't be responsible of the inconveniences caused by an incorrect or inadequate use of the products, so guarantee will never cover the expenses of substitution of shower screens, tile or whatever element that should be replaced by a wrong use or bad installation.

For a correct installation, use and maintenance read carefully this guide.

This product has been developed with the collaboration of Bayer Material Science.



It adapts to your body



Ergonomic and comfortable



Ultralight shower trays



Easy installation



Custom product



AIDIMA Product Quality Certificate



Nonslip product



Antibacterial product



Low abrasive level



High impact resistance



Dear Customer,

From Baños 10 we thank you for the confidence placed in us by purchasing one of our products and hope to provide an excellent service for many years.

As manufacturers and makers of the product you purchased, we are convinced of the excellent quality of it, and hope it does not need any technical intervention for a long time. However, if you require a visit or advice from our service center, both inside and outside the warranty period, we are available on the phone 902 360 708. Also, for any product-related query, please contact us by phone or email at sat@banos10.com.

GENERAL SCOPE

Baños 10, S.L. guarantees, as manufacturer to the buyer and/or user all rights under the law 23/2003 of July 10, in consumer goods sales.

It also guarantees to the buyer and/or user of the device whose data is contained in the Warranty Document, repair the equipment if it has sustained damage due to a defect in material or workmanship, provided it is intended for private use and that has been handled properly and in accordance with instructions for assembly, connection, commissioning and management. These repairs will be free including the cost of spare parts, works and displacement of technical staff to the user address presenting purchase documents and guarantee.

This warranty applies to the minimum guarantee that we offer as a producer.

IMPORTANT

To qualify for this guarantee, is essential to demonstrate to Baños 10 Official Service the date of product receipt. So, it is only necessary to show the INVOICE, receipt or the delivery note whichever is later of invoice or receipt date. So, keep your invoice or sales receipt attached with this document.



TERMS AND CONDITIONS

The deadline for claiming the conformity by the consumer is 24 months from the delivery time. In case of non-conformity, the consumer may choose between repair or replacement unless it is impossible or disproportionate. The deadline to inform Baños 10, SL any non-compliance is two months since the buyer or user had knowledge about it.

This warranty extends to the purchaser or user, provided it is duly supported by original invoice or sales receipt and delivery note. Read the user manual before using the product.

EXCLUSION OF WARRANTIES

Warranty excludes damage caused as a result of:

- Damages during transportation and / or handling the installation.
- Force majeure for all atmospheric or geological.
- Deficiency of electrical supply either by excess or defect.
- Chemical or electrochemical reactions, in combination with the material and / or water, such as those caused by spilled liquids or materials on the product, water hardness and / or excess of lime, excess humidity.
- Improper installation, not in accordance with local regulations and the manual supplied with the right editor.
- Intervention or manipulation by unauthorized staff or not covered by the Official Service Baños 10, S.L., even such intervention is or has been only partial.
- Damage caused by electrical work, plumbing, masonry, carpentry, etc., Made to install the device in user's home.
- Handling of information contained in an invoice, purchase receipt or other document of the warranty.
- Use not in accordance with the instructions from manufacturer or unrelated to the purpose of the product.
- Abnormal use of the product in general.

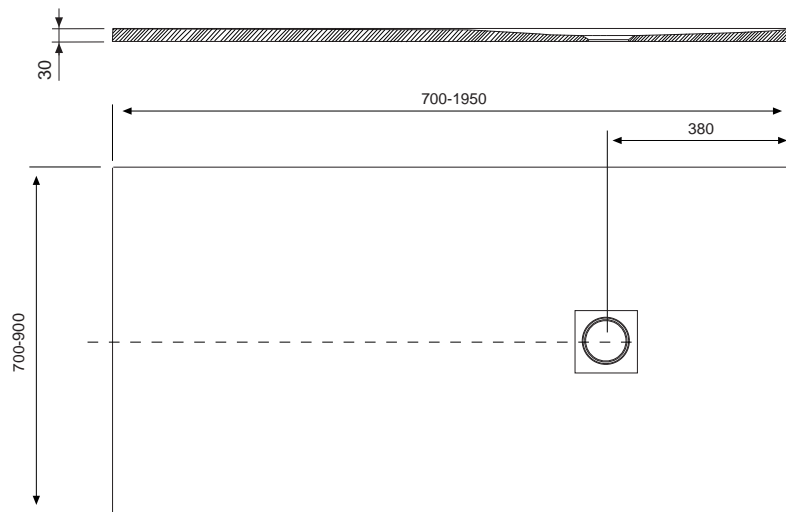
The Warranty DOES NOT cover regular maintenance of the product such as general cleaning and all those damages resulting from improper use or forced use of the product components.

The warranty DOES NOT cover labor costs resulting from the withdrawal of the product for repairing and / or maintenance.

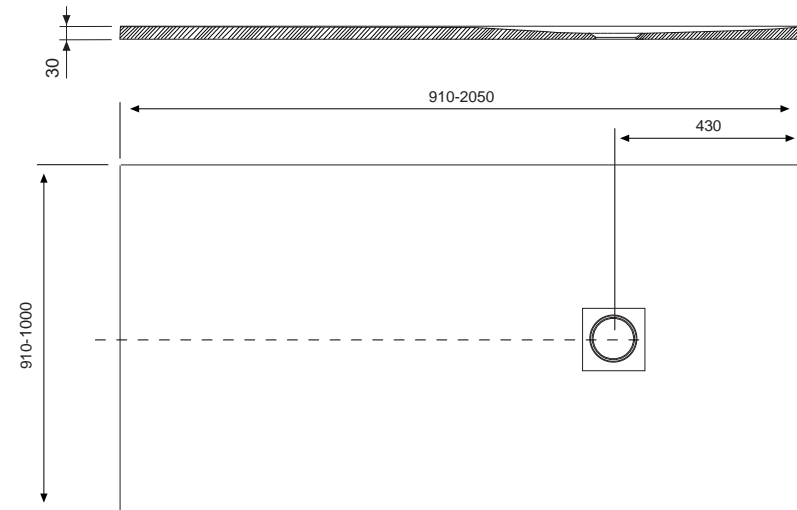
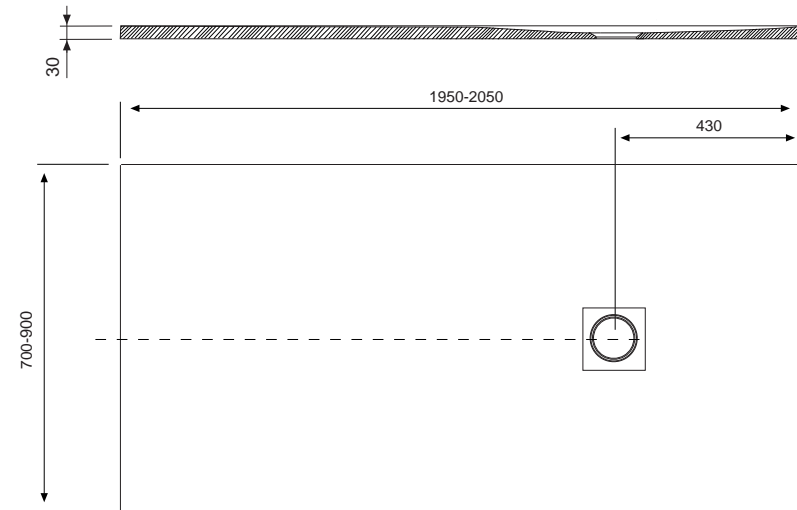
These conditions apply to products purchased in Spain. These guarantee conditions also apply to products taken out of Spain, if they have the technical requirements (such as voltage, frequency, etc.) of country concerned and where Baños 10, S.L. has an authorized service center in the country. For products purchased outside of Spain will apply the warranty issued by our distributor in the country concerned.

TECHNICAL SUPPORT (SAT.) BAÑOS 10 TEL. 902 360 708 FAX 964 626 415
E-mail sat@banos10.com

4 DIMENSIONS

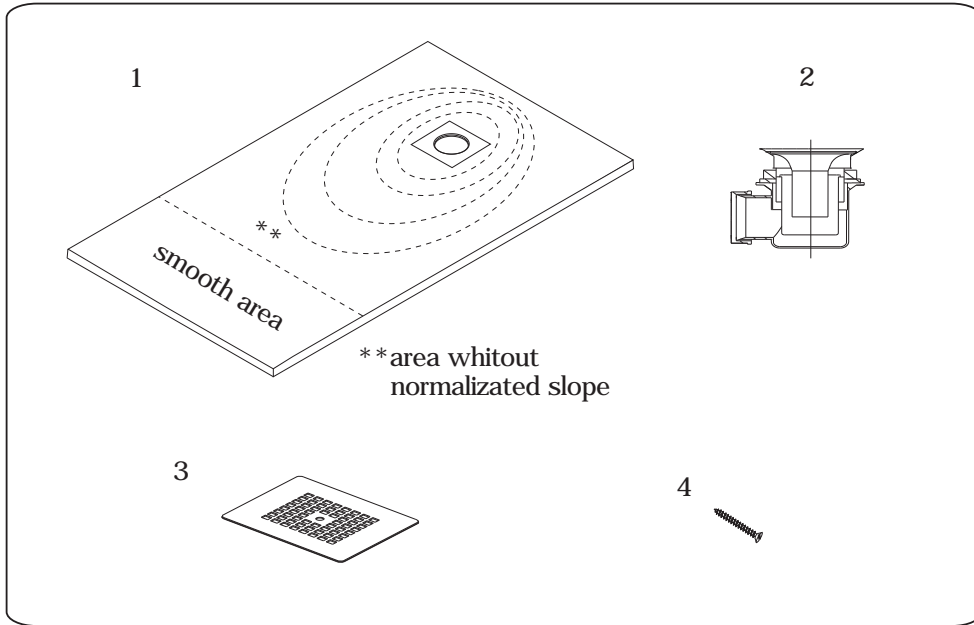


The dimensions of the shower trays have a tolerance of $\pm 2,5\text{mm}$.

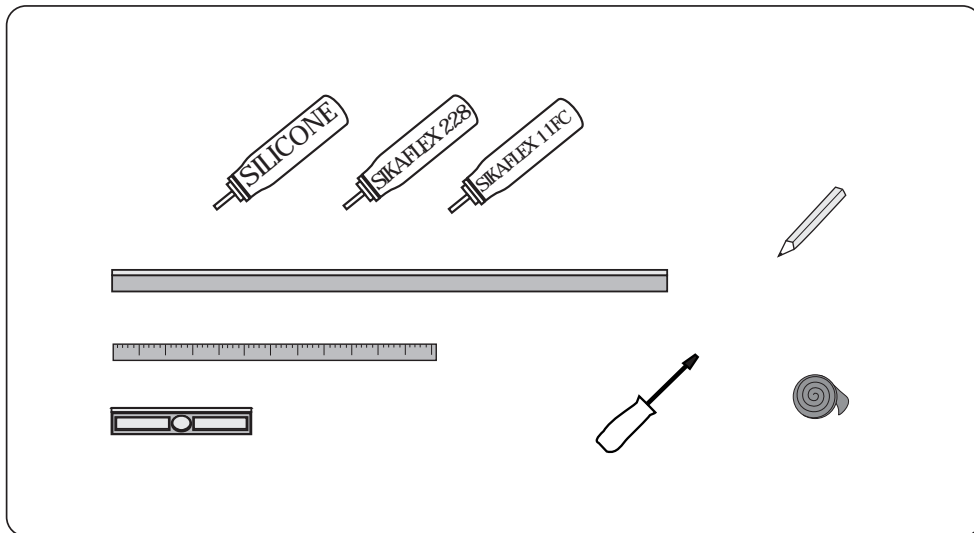


The dimensions of the shower trays have a tolerance of $\pm 2,5\text{mm}$.

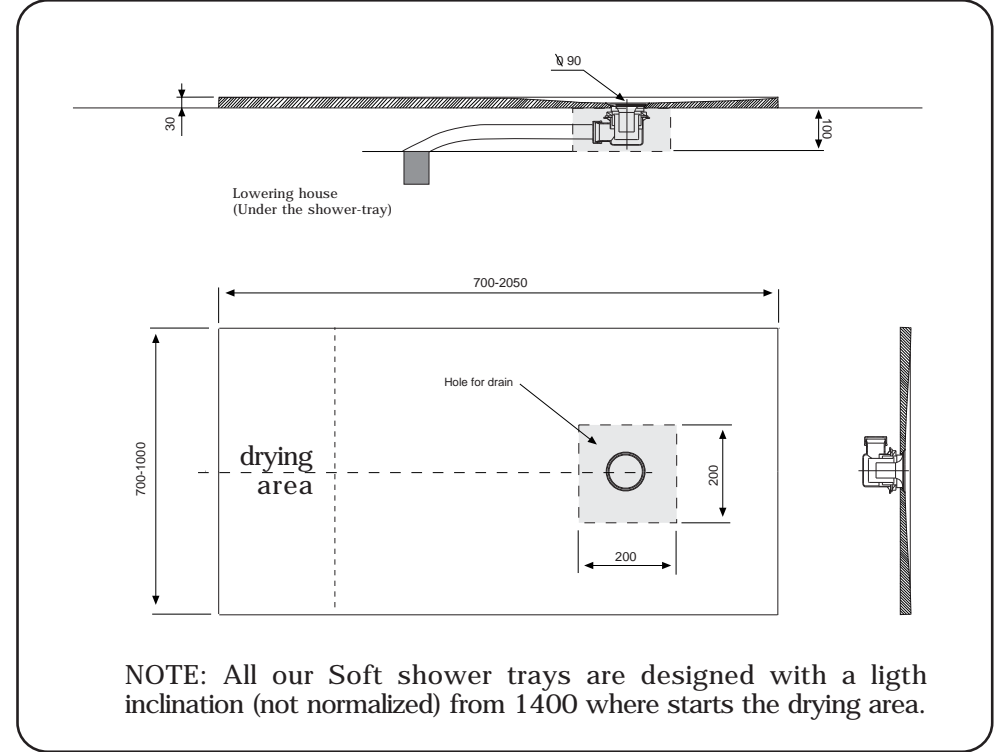
5 SUPPLIED ELEMENTS



6 REQUIRED ELEMENTS FOR INSTALLATION



7 SHOWER TRAY PRE-INSTALLATION



NOTE: All our Soft shower trays are designed with a lighth inclination (not normalized) from 1400 where starts the drying area.

8 THINGS TO CONSIDER BEFORE INSTALLATION

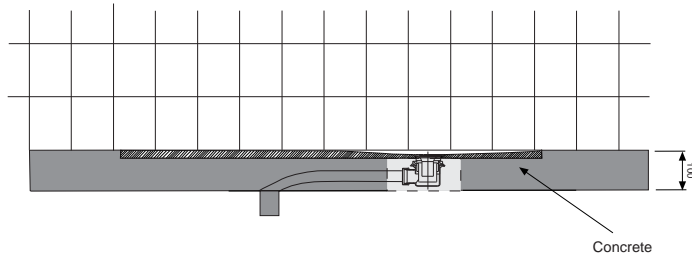


Aspects to be considered before installing the shower tray:

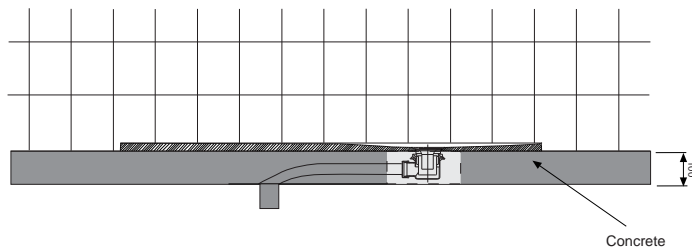
- The shower tray has to drainage correctly.
- There are no imperfections or damages on the surface.
- The features of the product about installing are correct (aspect, color, measure, etc.)

WARNING: In case of detection of abnormalities or deficiencies DON'T INSTALL and contact the distributor to inform about the situation.

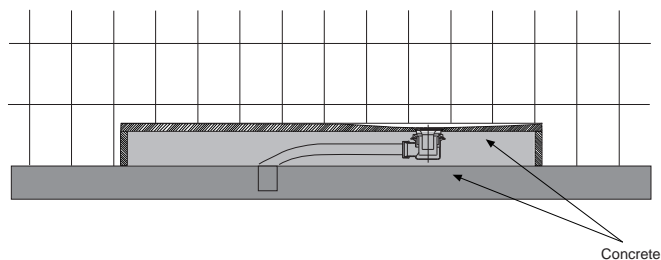
BUILT IN



ON THE FLOOR



ON HIGH



NOTE: On high installation the shower-tray has to be installed on a leveled and smooth surface too. This surface has to cover all the surface of the shower-tray.

10.1: Base preparation.

For a perfect installation of the shower-tray the floor must be **PERFECTLY LEVELED**.

The base must be ready with a solid and continuous concrete and never only with sand.

A hole must be made on the floor in order to set the drain pipe (see the installation).

You have to do also a hole or channel on the floor to pass the pipes from lowering house till the drain's pipe of the shower-tray.

10.2: Assembly of the drain pipe.

Put the drain's pipe on the floor in its definitive position. Connect it with the lowering house.

Check that drain-pipe doesn't leak and all elements don't stand out of the holes because the shower-tray wouldn't seat correctly.

WARNING: It's very important to get a slope from the drain pipe to the lowering house to guarantee the drainage.

WARNING: It's recommended to test the drain pipe before putting the shower-tray in the correct location.

10.3: Setting of shower-tray.

1- Take out the shower-tray from the packaging.

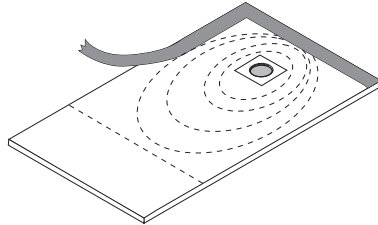
WARNING: DON'T THROW the cardboard because we will use it to protect the shower-tray in later steps.

2- Put the shower-tray in the definitive position to check if the drain pipe and the hole's shower-tray match up. If they don't match up you have to replace the position of the drain pipe.

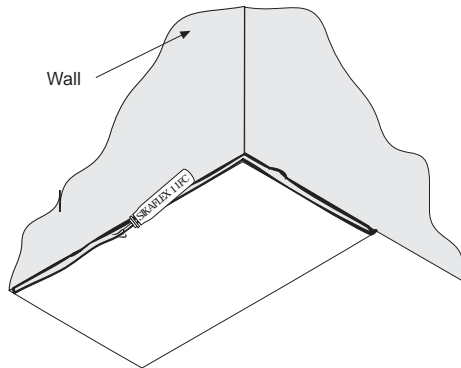
3- Remove the shower-tray.

WARNING: The assembly and installation of the shower tray must be made with polyurethane mastic, never with cementitious or rigid adhesives (Baños 10 recommends Sikaflex 228 and Sikaflex 11FC).

3- Protect the perimeter of the shower-tray with masking tape.

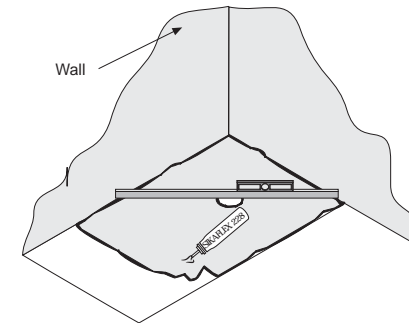


4- Put the Sikaflex 11FC around all perimeter of the hollow where the shower-tray will be installed, even in the angles that can exist between the shower-tray and the walls. This process will guarantee that water doesn't leave the shower-tray. Extend homogeneously the Sikaflex with a spatula until the height of the product is 3 cm minimally.



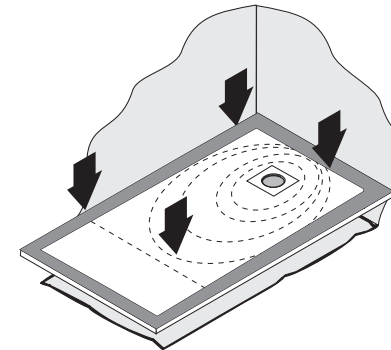
5- Put the Sikaflex 228 on the horizontal surface where the shower-tray will be installed. Extend homogeneously for ensuring the fixation of the shower-tray.

WARNING: Between the shower-tray and the ground mustn't be air to fix the shower-tray perfectly.

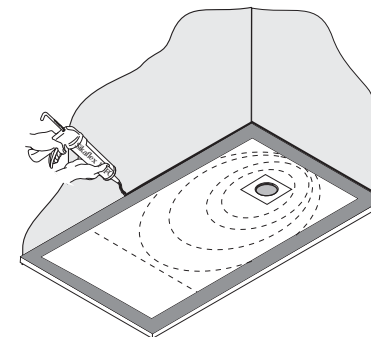


WARNING: The useful life of the polyurethane mastic is 40 minutes. The adherence isn't guaranteed after this time.

7- Put the shower-tray over the uniform layer of flexible polyurethane mastic. Replace it to be match up the drain pipe and the hole of the shower-tray.

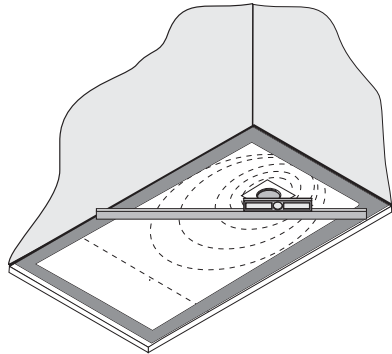


8- Fill the space between the wall and the shower-tray with Sikaflex 11FC.



9- Adjust the position of the shower-tray, check that it is leveled (in lurching and tilting direction) and if it works correctly.

WARNING: Before to put the rest of the tiles in the bathroom, the shower screen or other elements you have to check that the shower-tray is installed correctly and it works in a correct use.

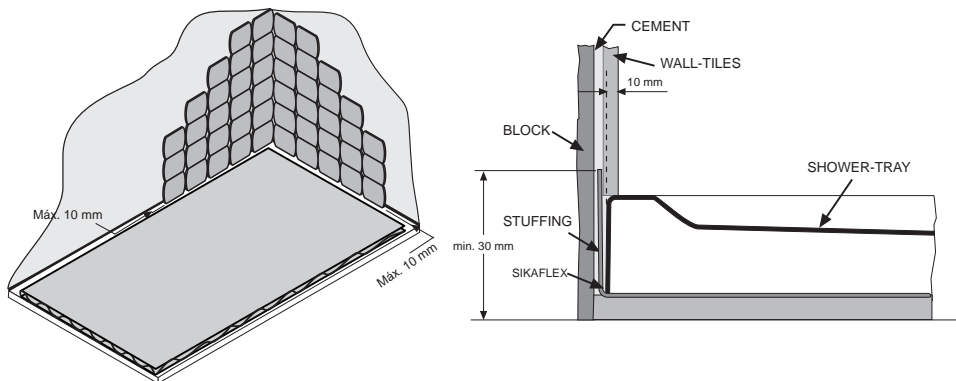


10- Assembly the drain pipe to the shower-tray.

11- Use the cardboard to protect the shower-tray during the installation (use a masking tape to fix the cardboard).

12- Check that the shower-tray is installed and it works correctly before tiling the rest of the bathroom.

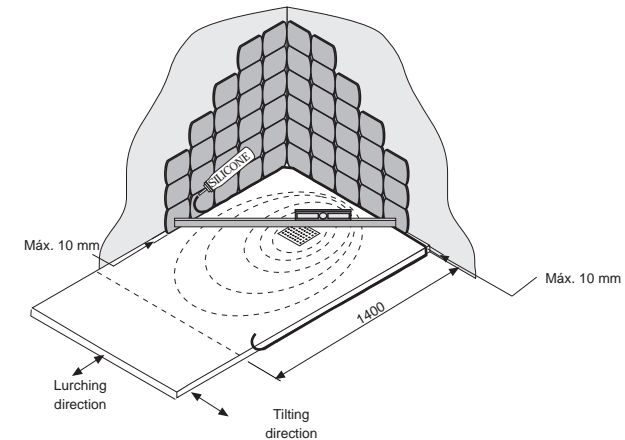
WARNING: Don't put the shower-tray more than 10mm inside the wall between both sides. In this case, we will avoid problems with the shower-screen.



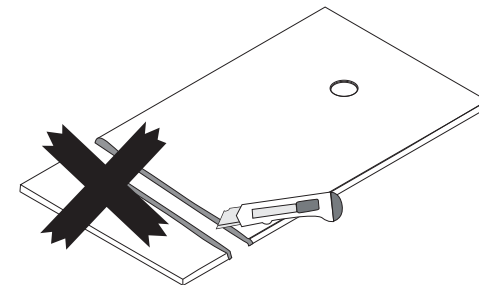
13- Take out the cardboard protector, silicone around the perimeter of the shower-tray with neutral flexible silicon (non acetic), clean the silicon rests and put the grill.

WARNING: You can use the shower-tray one day after installation, when silicone and sika-flex get totally dried.

WARNING: The shower-tray has to be fixed and leveled, otherwise the doors of the screen won't slide properly and the shower-tray could work incorrectly.



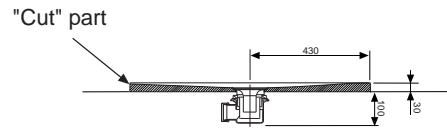
WARNING: Baños 10 isn't responsible for the cut and incorrect manipulation of the shower-tray by the user. The perfect sealing of the product is only guaranteed if the cut is made at Baños 10. Whatever external cut avoids the warranty of the product.



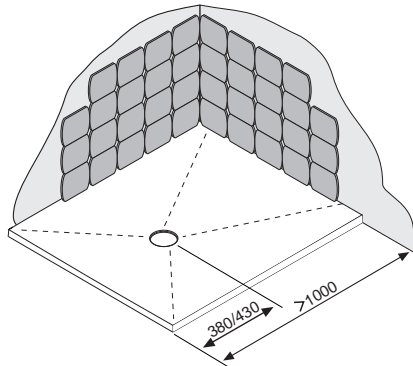
WARNING: Be careful with the sharp elements!

*** Shower-trays whose measure are shorter than 1000:**

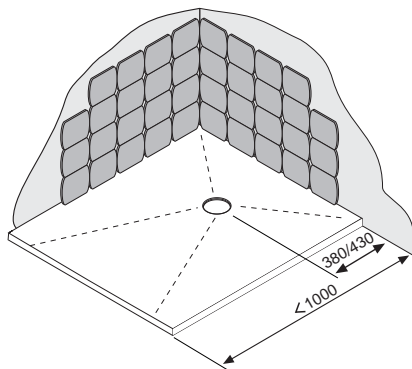
The shower-trays whose measure are shorter than 1000mm. have to be installed with their "cut" part built-in the wall. Otherwise the shower screen couldn't be installed (see the drawing).



Measure shorter than 1000:



Measure longer than 1000:



If concrete or some other materials are in contact with the shower-tray, use water and soap to clean the joints. Avoid to rub directly.

For usual cleaning is enough to wash out with water and dry off.

For an exhaustive cleaning use a soft cloth with neutral liquid not abrasive. In case of dirtiness or calcareous silt, clean with soap water or anti-lime product. Rinse with tepid water and dry off.

The Soft shower-trays don't need any specific maintenance.

Once the shower-tray is installed if you check a default or a drilling on the external surface of the shower-tray you have to contact immediately to the technical support of Baños 10.

The shower-tray will be momentarily invalidated to prevent major damage and it can get unusable.